

CISTERNA

CORRUGATED UNDERGROUND TANKS



Type

Underground tank

Applications

Drinking water storage, rainwater recovery

Volumes

From 3100 to 10700 litres

Installation

See chapter "Underground installation"

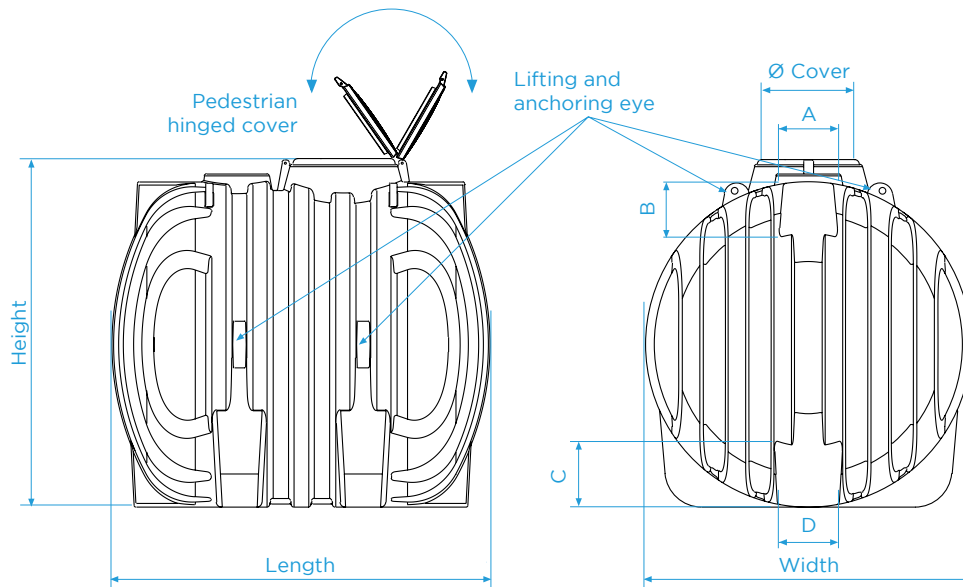
Available colours:

standard

 black

 marbled grey

Item	Capacity l	Length cm	Width cm	Height cm	Ø Cover cm	Cover	A cm	B cm	C cm	D cm	Extension	Lifting eye	Price €
CI 3000	3100	209	150	172	63	TAP 700	27	23	23	27	PP 75	8	1470.00
CI 5700	5700	242	192	210	63	TAP 700	35	30	30	35	PP 75	8	1900.00
CI 10700	10700	278	243	258	63	TAP 700	32	32	32	40	PP 75	8	4200.00



CANOTTO

CORRUGATED UNDERGROUND TANKS



Type

Underground tank

Applications Ideal for storing large volumes of water in the case of shallow excavations and rocky substrata. Easy to install using small size earth moving equipment (mini excavators, compact excavators)

Volumes From 3500 to 5300 litres

Installation See chapter “Underground installation”

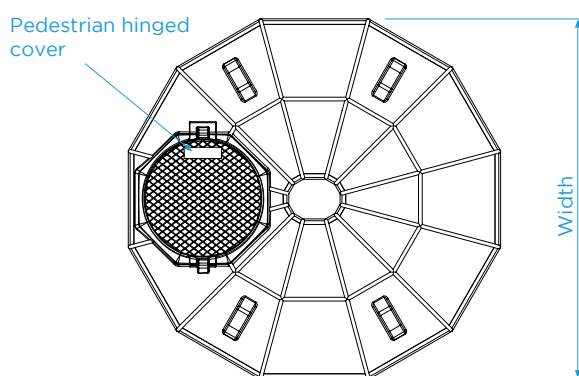
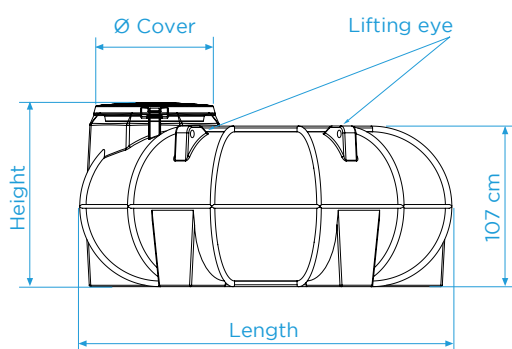
Available colours:

standard

black

marbled grey

Item	Capacity l	Length cm	Width cm	Height cm	Ø Cover cm	Cover	Inlet	Outlet	Full drain outlet	Extension	Lifting eye	Price €
CI 3500	3500	249	241	123	63	TAP 700	-	-	-	PP 75	4	1600.00
CI 5300	5300	365	241	123	63	TAP 700	-	-	-	PP 75	4	2000.00



PANETTONE

CORRUGATED UNDERGROUND TANKS



Type
Underground tank

Applications
Drinking water storage, rainwater recovery

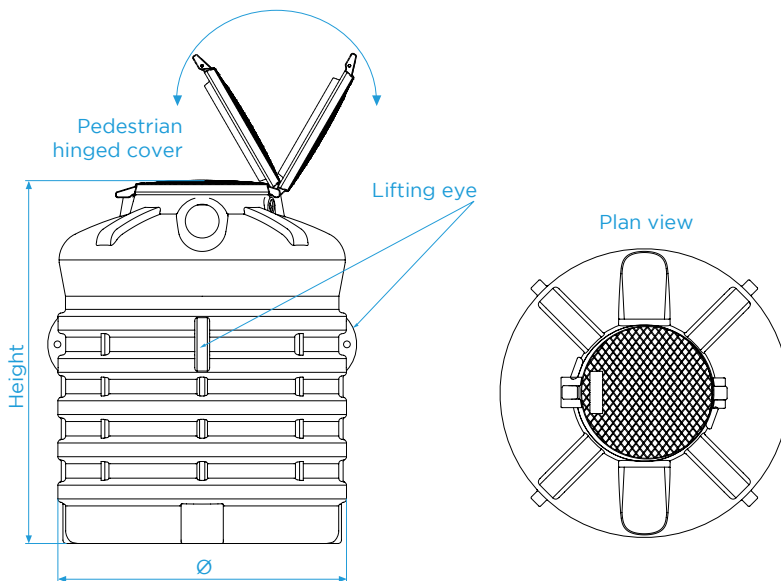
Volumes
From 3,000 to 10,000 litres

Installation
See chapter "Underground installation"

Available colours:

- standard black
- marbled grey

Item	Capacity l	Ø cm	Height cm	Ø Cover cm	Cover	Inlet	Outlet	Full drain outlet	Extension	Lifting eye	Price €
NPI 3000	3050	171	165	63	TAP 710	-	-	-	PP 77	4	1100.00
NPI 4000	4050	171	215	63	TAP 710	-	-	-	PP 77	4	1300.00
NPI 8000	7800	227	275	63	TAP 700	-	-	-	PP 75	4	2600.00
NPI 10000	9800	227	300	63	TAP 700	-	-	-	PP 75	4	3500.00



PANETTONE

SMOOTH UNDERGROUND TANKS



Type

Underground tank

Applications

Drinking water storage, rainwater recovery

Volumes

From 1000 to 2000 litres

Installation

See chapter "Underground installation"

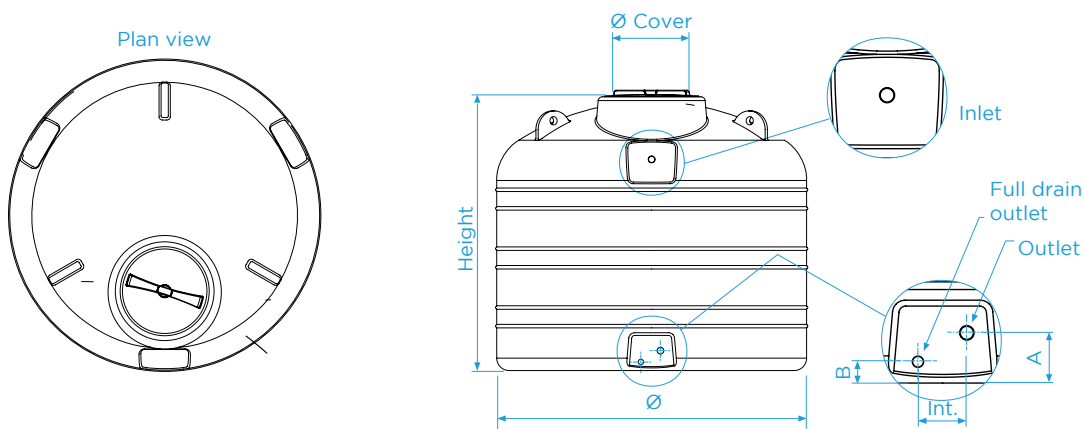
Available colours:

standard

 black

 marbled grey

Item	Capacity l	Ø cm	Height cm	Ø cover cm	Cover	Inlet	Outlet	Full drain outlet	Extension	Lifting eye	Price €
PI 1000	1040	120	105	30	CC 355	1"	1"	¾"	PP 35	3	400.00
PI 2000	2075	150	133	40	CC 455	1"	1"	¾"	PP 45	3	650.00



CISTERNA

SMOOTH UNDERGROUND TANKS



Type

Underground tank

Applications

Drinking water storage, rainwater recovery

Volumes

From 1000 to 2000 litres

Installation

See chapter "Underground installation"

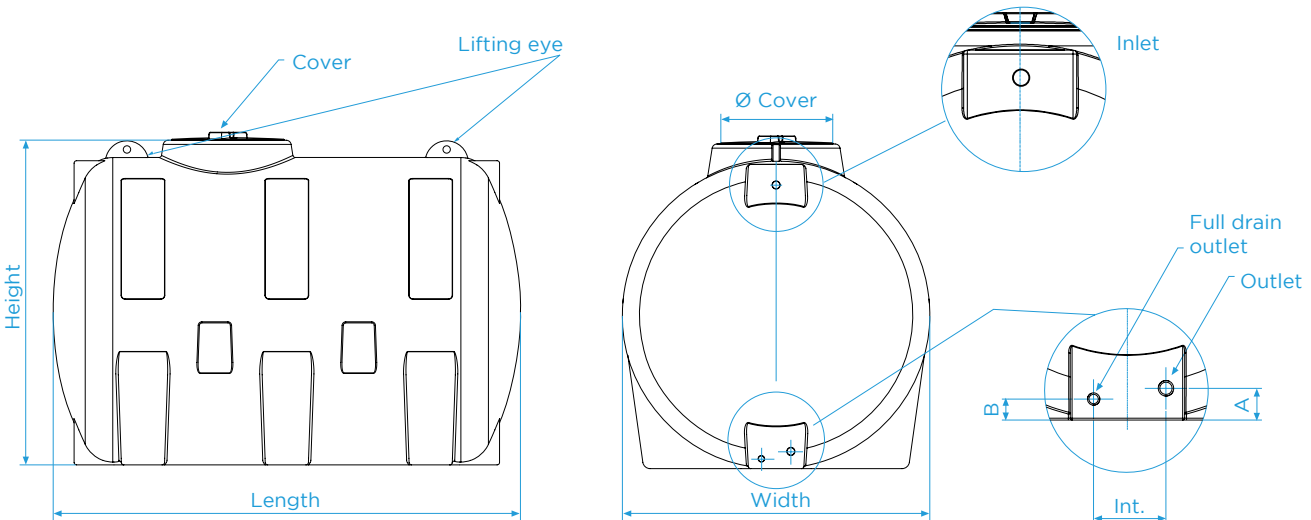
Available colours:

standard

 black

 marbled grey

Item	Capacity l	Length cm	Width cm	Height cm	Ø cover cm	Cover	Inlet	Outlet	Full drain outlet	Extension	Lifting eye	Price €
CI1000	1020	155	97	104	30	CC 355	1"	1"	¾"	PP 35	-	454.00
CI1500	1665	170	115	122	40	CC 455	1"	1"	¾"	PP 45	2	605.00
CI2000	2200	190	125	132	40	CC 455	1"	1"	¾"	PP 45	2	800.00



TECHNICAL SECTION - UNDERGROUND TANKS

TECHNICAL CHARACTERISTICS



Thanks to rotational moulding technology and the chemical-physical-mechanical characteristics of linear high density polyethylene (LLDPE), the underground tanks possess the ideal characteristics for the problem-free storage of large volumes of liquids. Polyethylene, in fact, is totally **non-toxic** and does not foster the growth of algae in the fluids contained in the tanks, thus making the tanks ideal for storing potable water and other foodstuffs. Furthermore, linear polyethylene also supports sudden changes in temperature (from -20 to + 80 °C) and is **inert** in the presence of chemical substances in the soil. For these reasons, there are no material oxidation or corrosion problems that would prejudice the mechanical characteristics and impermeability of the tanks. These characteristics are also guaranteed by the fact that rotational moulding allows **one-piece** tanks to be produced, i.e. free of welds that could weaken parts of the tanks subjected to internal stresses. Furthermore, while possessing the same characteristics as other materials (cement, fibreglass, metal), tanks in polyethylene are much lighter, and as such transport, installation and maintenance are extremely **simple and economical**. Finally, polyethylene tanks **can be bored** when the need arises, for example when connecting tanks together, installing inlet/outlet pipes, overflows, etc.

ROTOTEC supplies three models of tanks for underground installation, which differ in shape, structure and capacity: the Cisterna model stores from 1000 to 10000 litres, the Panettone model has a capacity of 3000 to 10000 litres, while the modular system (MINITANK and INFINITANK) can be used to create very large storage tanks, in theory of infinite size.

Each tank is equipped with one or more threaded or hinged inspection covers on which it is possible to install extensions when the top of the tank is below ground level. Finally, on request, the tanks can be equipped with the appropriate pumps for delivering the stored water at flow rates, pressures and heads needed for the various applications.

APPLICATIONS



The characteristics previously mentioned render the underground tanks ideal for:

- **Storing potable water** or other liquid foodstuffs;
- **Creating large volumes of stored water** for fire-fighting, washing or irrigation plants;
- **Creating lift stations** for pumping water to higher levels;
- **Collecting and storing rainwater** for eventual re-use for irrigation, washing hardstandings, filling toilet cisterns, etc...

WARNINGS



In order to ensure that the characteristics of the underground tanks remain unaltered over time, that the stored substances do not deteriorate and that the ROTOTEC guarantee remains valid (25 years against full-depth corrosion and manufacturing defects) the following instructions must be carefully followed:

- **The underground tanks must not, under any circumstances, be installed above ground;**
- **Prior to installation, carefully check the integrity of the tanks** and the tightness of the gaskets;
- Do not install the tanks near to sources of heat;
- The tanks must be positioned on a flat stable surface. Special care must be taken in areas characterised by ground instability. **When positioning, always adhere strictly to the installation methods provided (see Underground installation);**
- When installing the tanks, to prevent the formation of algae, make sure that no light can filter in;
- Use flexible hoses when connecting to the water system in order to prevent stresses during tank filling and emptying;
- Do not leave the tank without its cover for any length of time;
- In the case of rainwater storage, it is advisable to install a filter chamber upstream of the tank to prevent a build-up of grit, silt, leaves, etc. inside the tank;
- **For storing fluids not expressly indicated in this catalogue, contact our technical office**

USE AND MAINTENANCE



- When carrying out maintenance operations and cleaning of the underground tank and any components installed inside it, always comply with the requirements indicated in **Legislative Decree 81/2008 (Consolidation Act on Health and Safety at Work)** for temporary or mobile work sites;
- keep the area around the tank **free** of any material that could obstruct or impede the maintenance work;
- always work in pairs when carrying out tank inspection and cleaning operations, and wear suitable safety equipment (safety harness, lines, gloves,...);
- check the tank **every 6 months**. If any sediment is found at the bottom of the tank, remove it and clean the tank thoroughly using a normal domestic detergent. If any foreign bodies are found, disinfect the tank thoroughly;
- check that any PVC inlet, outlet and overflow pipes or brass or plastic filling, draining, full drain connectors are not blocked by large solids that prevent the passage of the fluid in the tank. If any sediment is found, it must be removed;
- check **every 6 months** to ensure that pipes, connectors and gaskets are watertight;
- periodically check that the vent serving the pump and installed on the tank is free. If it is blocked it must be cleaned.