

ABOVE GROUND TANKS





VERTICALE

ABOVE GROUND TANKS



Type
Above ground tank




Applications
Storing foodstuffs - Water, oil, wine

Volumes
From 50 to 10000 litres

Installation Placed directly on a flat supporting surface

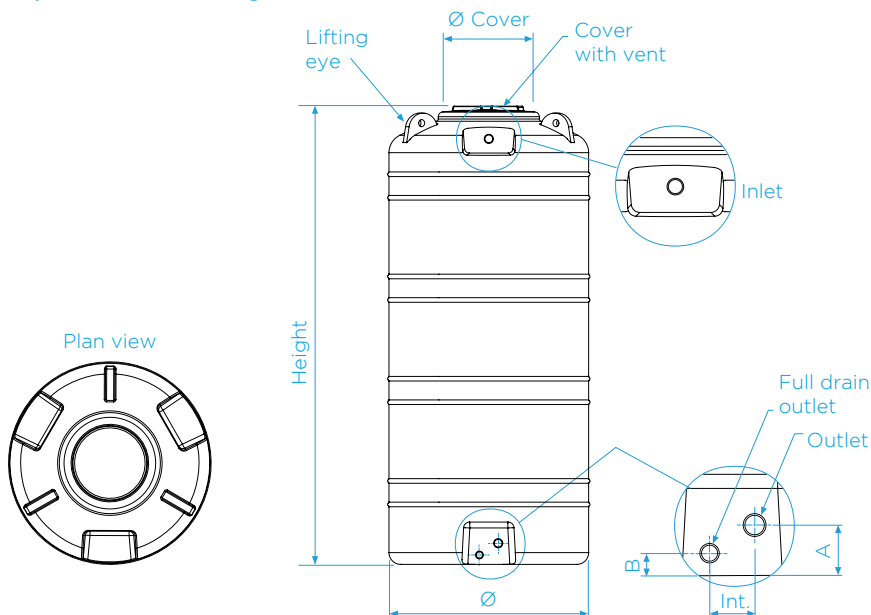
Available colours:

standard
 blue

on request
 grey
 green
 terracotta

Item	Capacity l	Ø cm	Height cm	Ø cover cm	Cover	Inlet	Outlet	Full drain outlet	Lifting eye	Threaded insert dimensions cm.			Price €
										A	B	Int.	
V 50	50	43	43	21	CS 255	-	-	¾"	-	4.5	-	-	75.00
V150	150	60	70	21	CS 255	¾"	-	¾"	-	4	-	-	108.00
V 300	300	63	110	21	CS 255	¾"	-	¾"	-	4	-	-	130.00
V 500	500	68	152	30	CS 355	¾"	1"	¾"	-	9	4	6	180.00
V 1000	1000	85	193	30	CS 355	1"	1"	¾"	3	9	4	8	270.00
V 2000	2000	115	210	40	CS 455	1"	1"	¾"	3	10	5	9	400.00
V 3000	3000	135	230	40	CS 455	1"	1"	¾"	3	11	6	10	570.00
V 5000	5050	180	223	40	CS 455	1"	1½"	1	3	11	6	10	980.00
V 10000	10000	246	260	52	TAP 600	-	-	-	4	-	-	-	*2600.00

* transport costs to be agreed



PANETTONE

ABOVE GROUND TANKS



Type

Above ground tank

Applications

Storing foodstuffs - Water, oil, wine

Volumes

From 500 to 14300 litres

Installation Placed directly on a flat supporting surface which is also suitable for transport

Available colours:

standard



blue

on request



grey



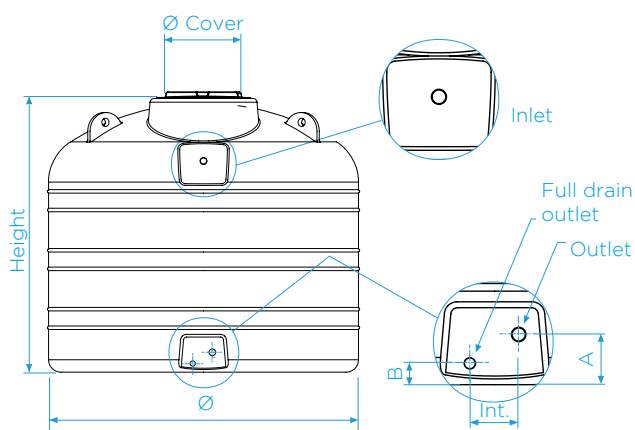
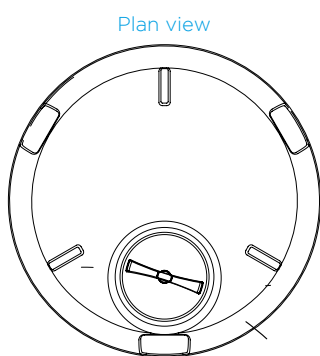
green



terracotta

Item	Capacity l	Ø cm	Height cm	Ø cover cm	Cover	Inlet	Outlet	Full drain outlet	Lifting eye	Threaded insert dimensions cm.			Price €
										A	B	Int.	
P500	538	100	80	21	CS 255	¾"	¾"	-	-	5	-	-	162.00
P1000	1040	120	105	30	CS 355	1"	1"	¾"	3	9	5	11	227.00
P2000	2075	150	133	40	CS 455	1"	1"	¾"	3	9	5	11	400.00
P3000	3105	183	135	40	CS 455	1"	1"	¾"	3	10	6	12	490.00
P5000	4905	225	135	40	CS 455	1"	1" ½	1"	3	10	6	12	980.00
P7500	7800	225	210	40	CS 455	1"	1" ½	1"	3	10	6	12	1300.00
P11000	11150	246	278	63	TAP 710	-	-	-	3	-	-	-	*2600.00
P15000	14300	246	355	63	TAP 710	-	-	-	3	-	-	-	*3780.00

* transport costs to be agreed



CISTERNA

ABOVE GROUND TANKS



Type

Above ground tank

Applications

Storing foodstuffs - Water, oil, wine

Volumes

From 300 to 5000 litres

Installation Placed directly on a flat supporting surface

Available colours:

standard



blue

on request



grey

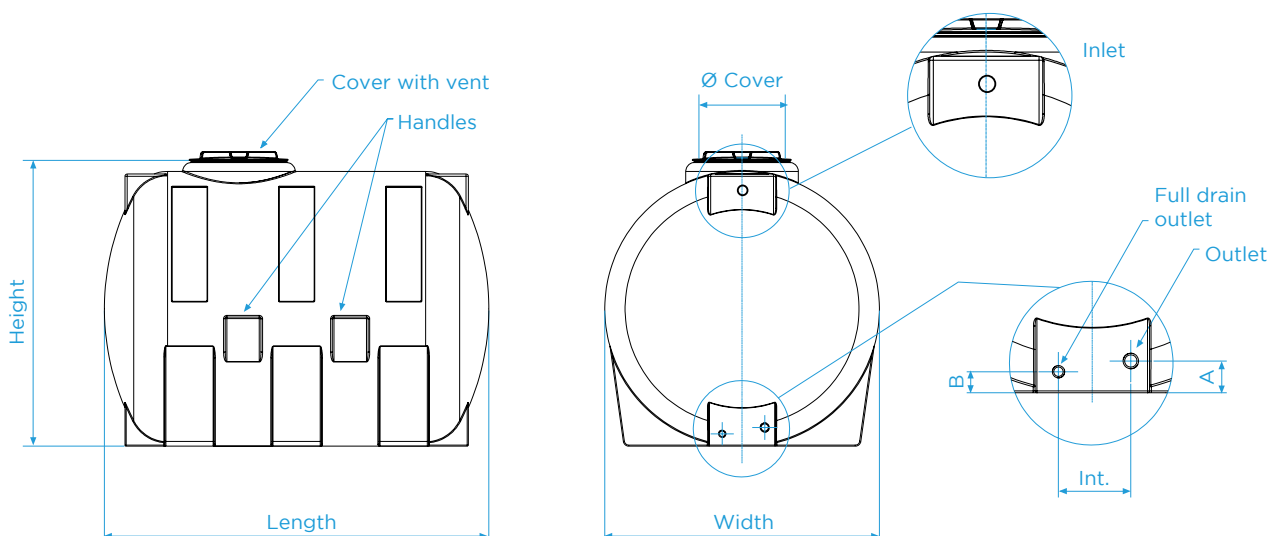


green



terracotta

Item	Capacity l	Length cm	Width cm	Height cm	Ø cover cm	Cover	Inlet	Outlet	Full drain outlet	Lifting eye	Threaded insert dimensions cm.			Price €
											A	B	Int.	
C300	300	121	57	66	21	CS 255	¾"	-	¾"	-	-	4.2	-	162.00
C500	565	120	80	83	21	CS 255	¾"	-	¾"	-	-	4	-	190.00
C1000	1020	155	97	104	30	CS 355	1"	1"	¾"	-	7.8	4	11	270.00
C1500	1665	170	115	122	40	CS 455	1"	1"	¾"	2	7	4	11	380.00
C2000	2200	190	125	132	40	CS 455	1"	1"	¾"	2	7	4	12	480.00
C3000	3260	210	145	152	40	CS 455	1"	1"	¾"	2	7	4	12	670.00
C5000	5000	220	173	192	52	TAP 600	-	-	-	2	-	-	-	1170.00



JOLLY

ABOVE GROUND TANKS



Type

Above ground tank

Applications

Storing foodstuffs - Water, oil, wine

Volumes

From 1000 to 2000 litres

Installation Easy to position and handle, designed for narrow passages, cellars, basements, placed directly on a flat supporting surface

Available colours:

standard



blue

on request



grey

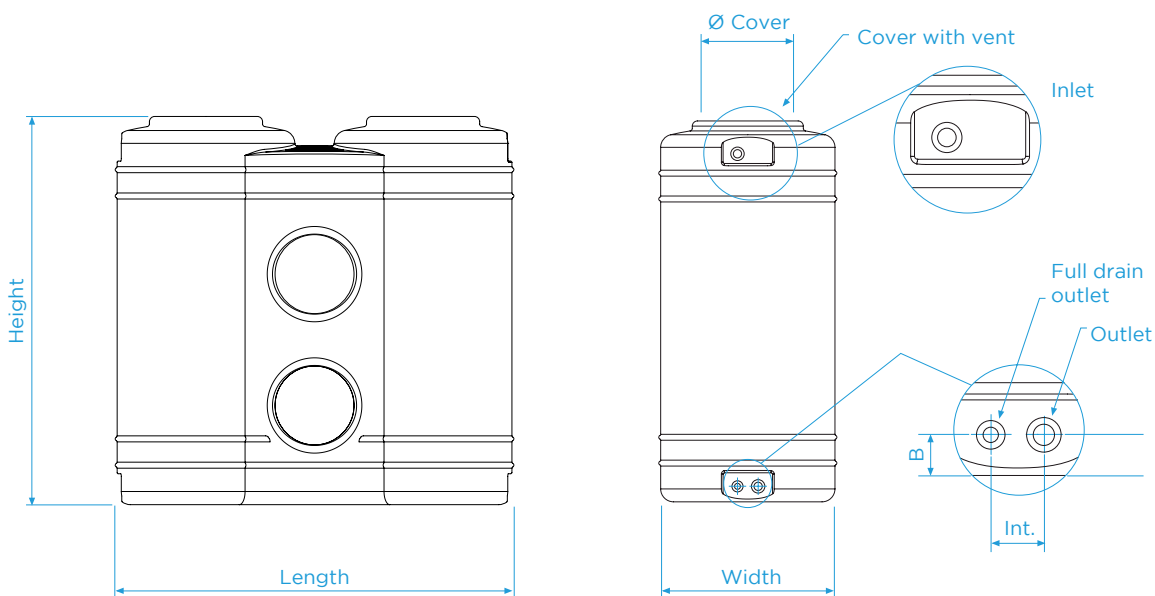


green



terracotta

Item	Capacity l	Length cm	Width cm	Height cm	Ø cover cm	Cover	Inlet	Outlet	Full drain outlet	Lifting eye	Threaded insert dimensions cm.			Price €
											A	B	Int.	
J 1000	1000	150	68	145	30	CS 355	1"	1"	¾"	-	6	6	8	350.00
J 2000	2000	233	68	190	30	CS 355	1"	1"	¾"	-	6	6	8	700.00



VALIGIA

ABOVE GROUND TANKS



Type
Above ground tank

Applications
Storing foodstuffs - Water, oil, wine

Volumes
From 500 to 1000 litres

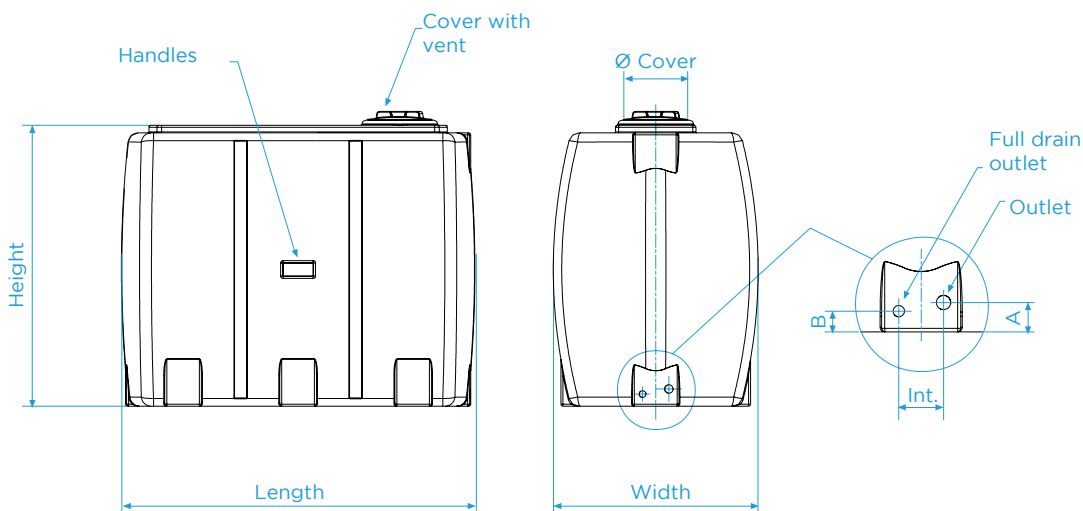
Installation Placed directly on a flat supporting surface

Available colours:

standard
blue

on request
grey
green
terracotta

Item	Capacity l	Length cm	Width cm	Height cm	Ø cover cm	Cover	Inlet	Outlet	Full drain outlet	Lifting eye	Threaded insert dimensions cm.			Price €
											A	B	Int.	
RV 500	500	99	65	105	21	CS 255	-	1"	¾"	-	6.6	4.6	10	220.00
RV 1000	1000	139	80	115	21	CS 255	-	1"	¾"	-	6.8	4.8	10.5	320.00



BOX

ABOVE GROUND TANKS



Type

Above ground tank

Applications

Storing foodstuffs - Water, oil, wine

Volumes

From 300 to 500 litres

Installation Placed directly on a flat supporting surface

Available colours:

standard



blue

on request



grey

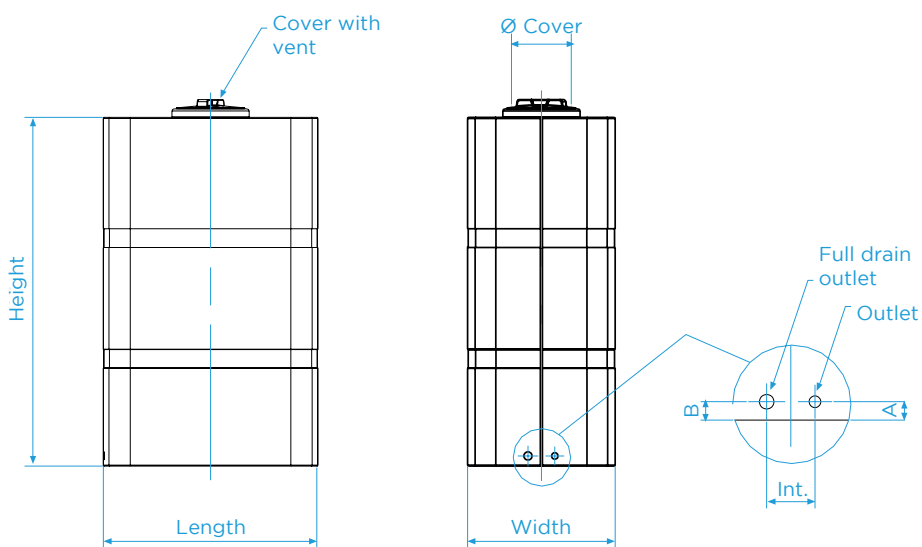


green



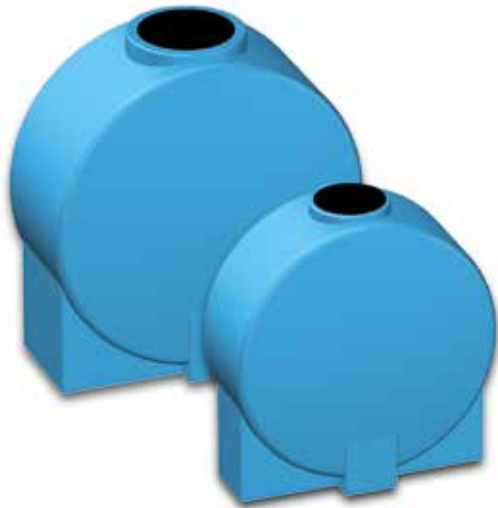
terracotta

Item	Capacity l	Length cm	Width cm	Height cm	Ø cover cm	Cover	Inlet	Outlet	Full drain outlet	Lifting eye	Threaded insert dimensions cm.			Price €
											A	B	Int.	
B 300	290	80	55	80	21	CS 255	-	1"	¾"	-	3.8	3.8	10	180.00
B 500	500	80	55	130	21	CS 255	-	1"	¾"	-	3.8	3.8	10	205.00



SNELLO

ABOVE GROUND TANKS



Type

Above ground tank

Applications

Storing foodstuffs - Water, oil, wine

Volumes

From 300 to 800 litres

Installation Placed directly on a flat supporting surface, ideal for confined spaces

Available colours:

standard



blue

on request



grey

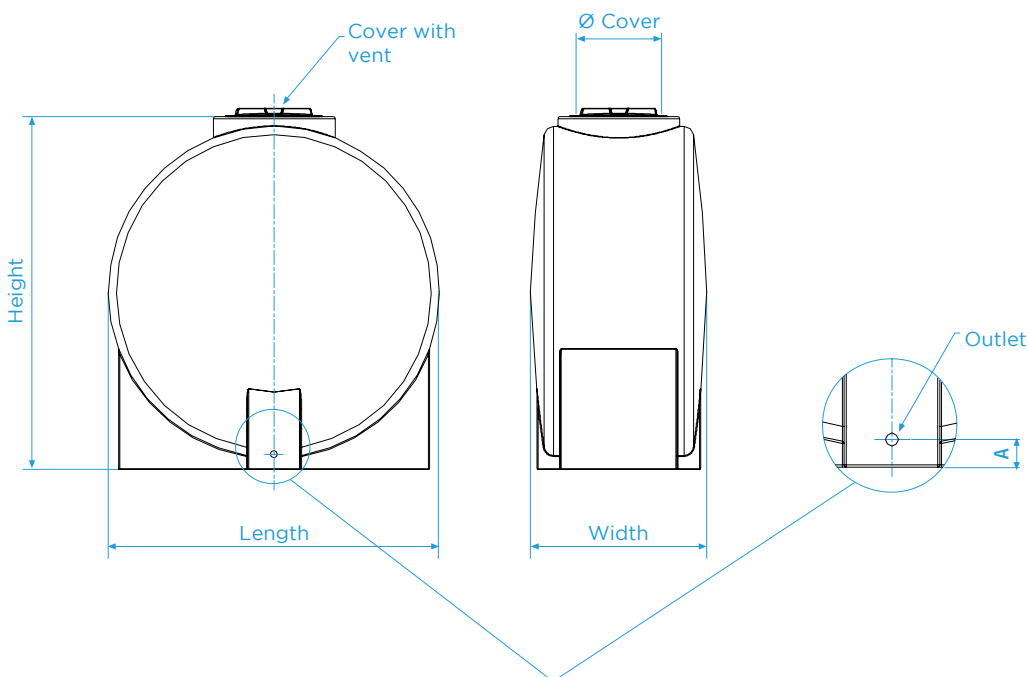


green



terracotta

Item	Capacity l	Length cm	Width cm	Height cm	Ø cover cm	Cover	Inlet	Outlet	Full drain outlet	Lifting eye	Threaded insert dimensions cm.			Price €
											A	B	Int.	
S 300	300	98	46	105	21	CS 255	-	¾"	-	-	3.8	-	-	260.00
S 800	750	122	67	130	30	CS 355	-	1"	-	-	5.6	-	-	380.00



SOTTOTETTO

ABOVE GROUND TANKS



Type

Above ground tank

Applications

Storing foodstuffs - Water, oil, wine

Volumes

300 litres

Installation Ideal for spaces with reduced headroom. Placed directly on a flat supporting surface

Available colours:

standard



blue

on request



grey

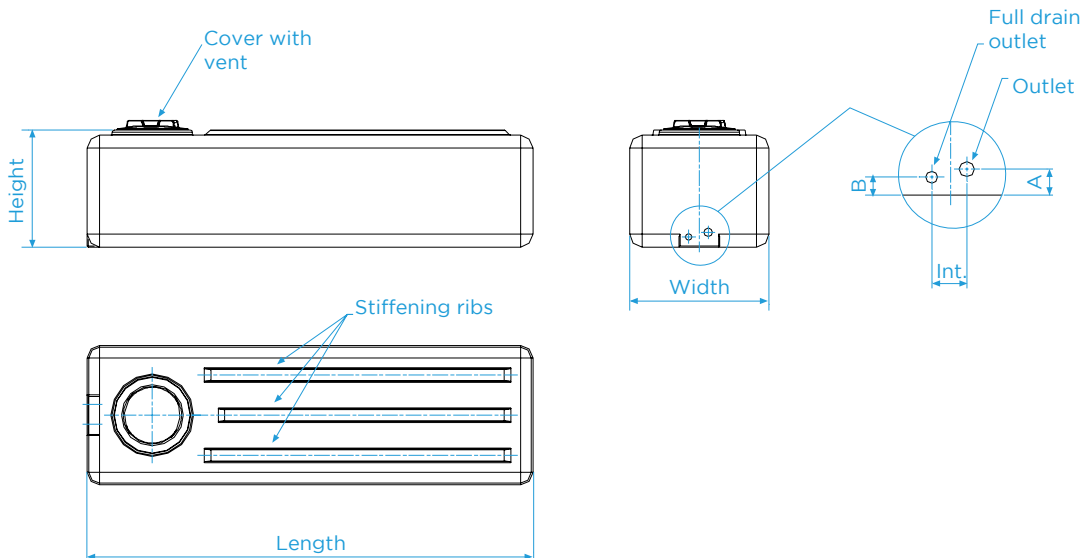


green



terracotta

Item	Capacity l	Length cm	Width cm	Height cm	Ø cover cm	Cover	Inlet	Outlet	Full drain outlet	Lifting eye	Threaded insert dimensions cm.			Price €
											A	B	Int.	
ST 300	300	160	50	42	21	CS 255	-	1"	¾"	-	5.2	3.6	7	230.00



SOTTOSCALA

ABOVE GROUND TANKS



Type
Above ground tank




Applications
Storing foodstuffs - Water, oil, wine

Volumes
500 litres

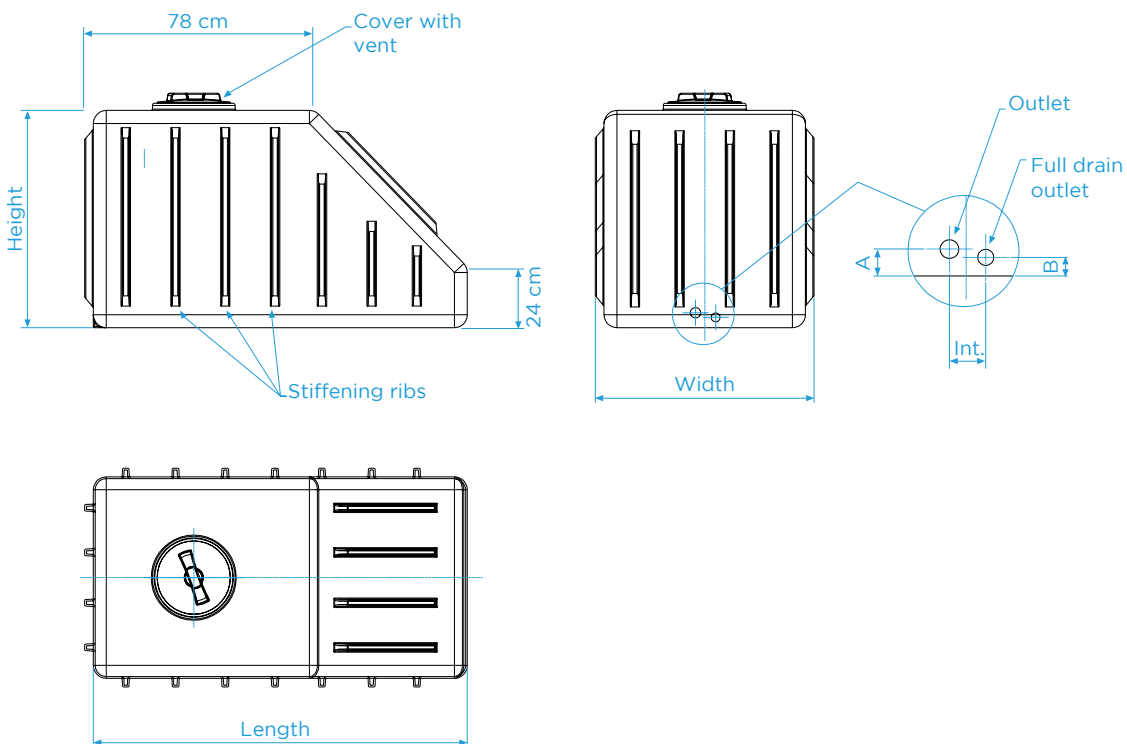
Installation Placed directly on a flat supporting surface

Available colours:

standard
 blue

on request
 grey
 green
 terracotta

Item	Capacity l	Length cm	Width cm	Height cm	Ø cover cm	Cover	Inlet	Outlet	Full drain outlet	Lifting eye	Threaded insert dimensions cm.			Price €
											A	B	Int.	
SS 500	500	133	76	80	21	CS 255	-	1"	¾"	-	5.2	3.6	7	280.00



CUBO

ABOVE GROUND TANKS



Type

Above ground tank

Applications

Storing foodstuffs - Water, oil, wine

Volumes

From 300 to 500 litres

Installation Placed directly on a flat supporting surface

Available colours:

standard



blue

on request



grey

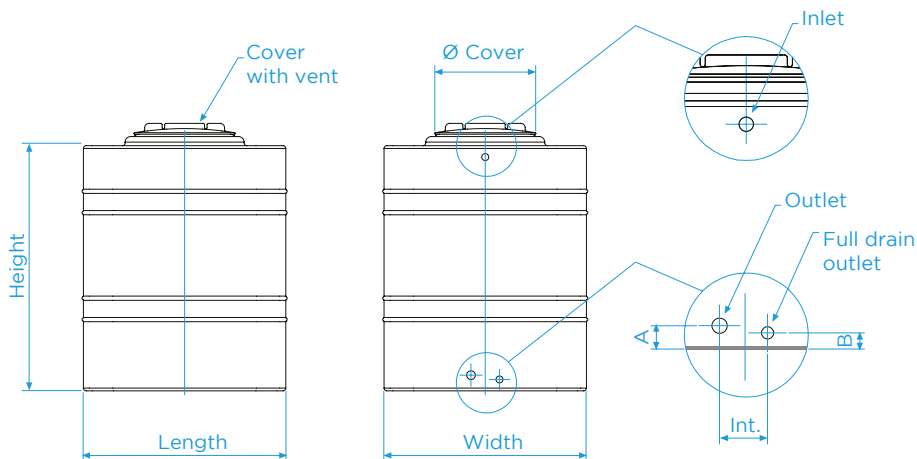


green



terracotta

Item	Capacity l	Length cm	Width cm	Height cm	Ø cover cm	Cover	Inlet	Outlet	Full drain outlet	Lifting eye	Threaded insert dimensions cm.			Price €
											A	B	Int.	
Q 300	250	71	71	51	21	CS 255	1"	1"	3/4"	-	4.6	3.2	9.6	180.00
Q 500	440	71	71	88	21	CS 255	1"	1"	3/4"	-	4.6	3.2	9.5	205.00



KITANK

ABOVE GROUND TANKS



Type

Above ground tank

Supply

Supplied in 2 parts (base and cover) + cover with vent

Volumes

From 800 to 1300 litres

Installation Placed directly on a flat supporting surface

Available colours:

standard



blue

on request



grey

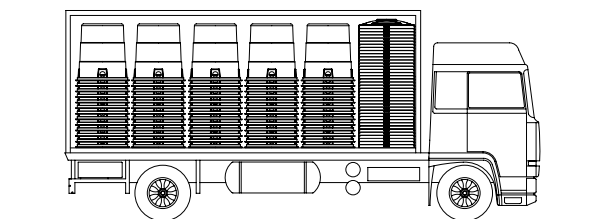
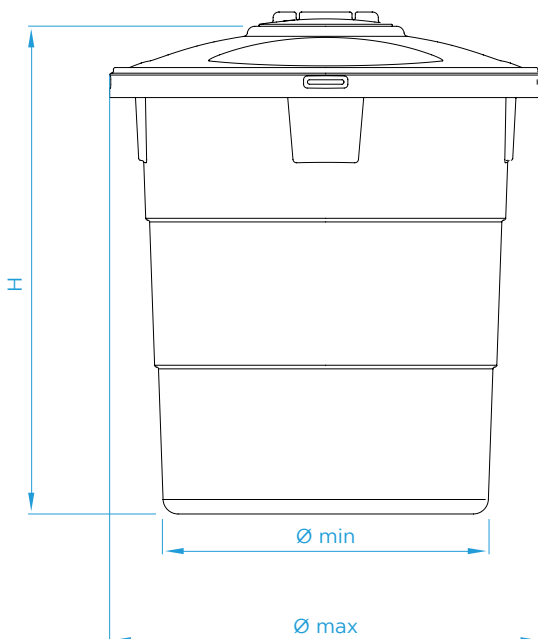


green



terracotta

Item	Useful volume lt	Ø min cm	Ø max cm	H cm	Ø Cover cm	Cover	Price €
VA1000	800	86	115	135	30	CS355	360.00
VA1500	1300	100	130	150	30	CS355	420.00

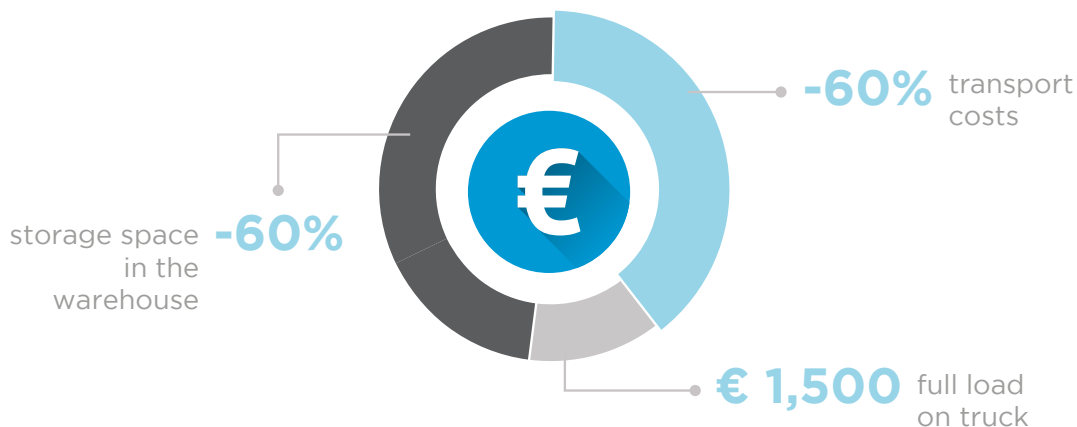


- Example of Rototec stackable tank transport

OPTIMISATION OF SPACE DURING STORAGE AND TRANSPORT



how much
can I save?



TECHNICAL CHARACTERISTICS

The new range of Rototec “KITank” tanks has been designed to reduce the working volume to a minimum during storage and transport. Thanks to the fact that the tanks can be dismantled and stacked, it is possible to store and transport a large number of tanks in a very small space, thus reducing the volume and above all the cost of transport.

The versatility of these tanks means they can be used to create drinking water or rainwater storage tanks, as well as for a wide range of domestic waste water treatment systems for small dwelling units: Grease separators, Septic tanks, Imhoff tanks and anaerobic percolating filters. (see KITank catalogue/price list)



TECHNICAL SECTION - ABOVE GROUND TANKS

TECHNICAL CHARACTERISTICS



Thanks to rotational moulding technology and the chemical-physical-mechanical characteristics of linear high density polyethylene (LLDPE), the above ground tanks possess the ideal characteristics for the problem-free storage of large volumes of liquids. Polyethylene, in fact, is totally **non-toxic** and does not foster the growth of algae in the fluids contained in the tanks, thus making the tanks ideal for storing potable water and other foodstuffs. Furthermore, linear polyethylene also supports sudden changes in temperature (from -20 to + 80 °C) and is **inert** in the presence of chemical and physical atmospheric agents. For these reasons, there are no material oxidation or corrosion problems that would prejudice the mechanical characteristics and impermeability of the tanks. These characteristics are also guaranteed by the fact that rotational moulding allows **one-piece** tanks to be produced, i.e. free of welds that could weaken parts of the tanks subjected to internal stresses. Furthermore, while possessing the same characteristics as other materials (cement, fibreglass, metal), tanks in polyethylene are much **lighter**, and as such transport, installation and maintenance are extremely simple and economic. Finally, polyethylene tanks **can be bored** when the need arises, for example when connecting tanks together, installing inlet/outlet pipes, overflows, etc. ROTOTEC supplies a wide range of tank models for outdoor use of capacities ranging from 50 to 14300 litres. The various forms of the tanks are designed to create storage facilities even in locations where installation space is restricted (e.g. cellars, attics, stairwells...). Thanks to the **flanged joints or brass/plastic pipe unions** mounted on the appropriate flat areas, the various tanks can be connected together to obtain larger storage volumes. Each tank is equipped with a threaded or hinged **inspection cover**, and many models are fitted with **inlet, outlet and full drain outlet holes**. The standard colour of above ground tanks is blue. Other colours are also available on request, such as Green, Terracotta and Grey. Finally, on request, above ground tanks can also be equipped with the appropriate **pumps** for delivering the stored water at the flow rates, pressures and heads needed for the various applications.

APPLICATIONS



The characteristics previously mentioned render the outdoor tanks ideal for:

- **Storing potable water or other liquid foodstuffs** in areas either outside or inside residential properties;
- **Creating large volumes of stored water** for fire-fighting, washing or irrigation plants;
- **Creating lift stations** for pumping water to higher levels;
- **Collecting and storing rainwater** for re-use in irrigation or washing

WARNINGS



In order to ensure that the characteristics of the tanks remain unaltered over time, that the stored substances do not deteriorate and that the ROTOTEC guarantee remains valid (25 years against full-depth corrosion and manufacturing defects) the following instructions must be carefully followed:

- **The above ground tanks must not, under any circumstances, be installed underground;**
- **Prior to installation, carefully check the integrity of the tanks** and the tightness of the gaskets;
- Do not install the tanks near to sources of heat;
- **The tanks must be positioned on a flat, stable surface;**
- When installing the tanks, to prevent the formation of algae, make sure that no light can filter in;
- Use flexible hoses when connecting to the water system in order to prevent stresses during tank filling and emptying;
- Do not leave the tank without its cover for any length of time;
- In the case of rainwater storage, it is advisable to install a filter chamber upstream of the tank to prevent a build-up of grit, silt, leaves, etc. inside the tank;
- **For storing fluids not expressly indicated in this catalogue (page 122), contact the technical office;**
- Place the tanks in easily reachable locations and avoid constructing parts in brickwork that could interfere with replacement or maintenance operations;
- When installing a pump, internally or externally, fit a suitable sized vent on the tank to prevent the formation of a vacuum when the pump is running.

USE AND MAINTENANCE



- When carrying out maintenance operations and cleaning of the tank and any components installed inside it, always comply with the requirements indicated in **Legislative Decree 81/2008 (Consolidation Act on Health and Safety at Work)** for temporary or mobile work sites;
- keep the area around the tank **free** of any material that could obstruct or impede the maintenance work;
- always work in pairs when carrying out tank inspection and cleaning operations, and wear suitable safety equipment;
- check the tank **every 6 months**. If any sediment is found at the bottom of the tank, remove it and clean the tank thoroughly using a normal domestic detergent. If any foreign bodies are found, disinfect the tank thoroughly;
- check that any PVC inlet, outlet and overflow pipes or brass or plastic filling, draining, full drain connectors are not blocked by large solids that prevent the passage of the fluid in the tank. If any sediment is found, it must be removed;
- check **every 6 months** to ensure that pipes, connectors and gaskets are watertight;
- periodically check that the vent serving the pump and installed on the tank is free. If it is blocked, it must be cleaned.